

NEPCSH-2500-MV/NEPCSH-2750-MV NEPCSH-3150-MV/NEPCSH-3450-MV



FEATURES



Compatible with high voltage battery system, low system cost



VSG, black start and NTP function integrated, compliant with IEC61850 and 104 communication protocols



Advanced ANPC three-level topology, improving cooling efficiency and power density;

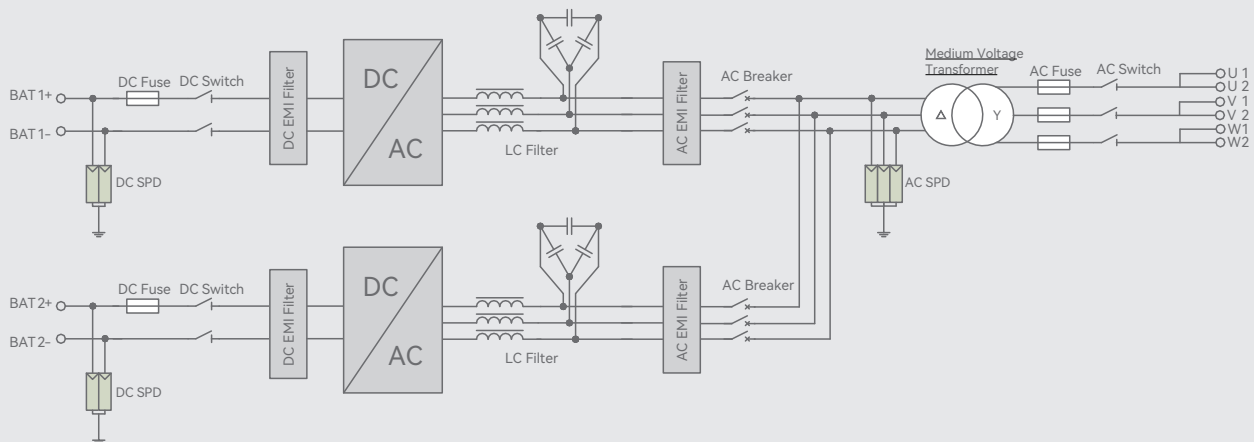


Integrated on a 20' base, sufficient space for maintenance



NEMA 3R protection degree, ensure constantly stable operation

TOPOLOGY DIAGRAM DISPLAY



Wind/PV Farm



Utility



Off-grid

REPRESENTS HIGH VOLTAGE

NEPCSH-2500-MV/NEPCSH-2750-MV
NEPCSH-3150-MV/NEPCSH-3450-MV

SPECIFICATIONS

Model	NEPCSH-2500-MV	NEPCSH-2750-MV	NEPCSH-3150-MV	NEPCSH-3450-MV
Max. DC Voltage	1500 V	1500 V	1500 V	1500 V
Min. DC Voltage	730 V	800 V	915 V	1000 V
Max. DC Current	1944 A*2	1944 A*2	1944 A*2	1944 A*2
No. of DC Inputs	2	2	2	2
Nominal AC Power (45 °C)	2500 kVA	2750 kVA	3150 kVA	3450 kVA
Max. AC Current	1588 A*2	1588 A*2	1588 A*2	1588 A*2
Nominal AC Voltage	500 V	550 V	630 V	690 V
MV	34.5 kV, 24.94 kV, 23 kV, 21.6 kV, 13.8 kV, 13.2 kV, 12.47 kV			
Dimensions (W*H*D)	6058*2896*2438 mm			
Weight	14000 kg			
Degree of Protection	NEMA 4X (Electronic For Inverter) / NEMA 3R (Others)			
Operating Ambient Temperature Range	-30 - 60 °C (> 45 °C derating)			
Certification	UL1741, UL1741SA, UL1741SB, IEEE1547			
Communication	Standard: RS485, CAN, Ethernet, Optical Fiber			
AUX Power	3Ø / 400 V Or 480V / MAX 7 kW / 8.75 kVA (Fan 5 kW, Reserved Socket 1kW, Control System 1kW)			

